

Title: GA800 – 600 V Input / Output AC Reactor Selection

Product(s): GA800

Doc. No. PN.GA800.02

AC Reactors

AC reactors may be used on the input or output to reduce the effects of line or load side transients. The reactors are available loose or in a separate Type 1 enclosure.

Table 1: 600 Volt, AC Input Reactors

HP	Catalog Code GA80U...		3% Input Reactor			
	Normal Duty	Heavy Duty	Open Type Part Number	Enclosed Type 1 Part Number	Rated Amps	Inductance (mH)
250	-	5289...	URX000351	URX000560	242	0.095
300	5289...	5382...	URX000355	URX000561	322	0.07
350	5382...	5382...	URX000357	URX000562	414	0.066
400	5382...	5412...	URX000357	URX000562	414	0.066
450	5412...	5472...	URX000357	URX000562	414	0.066
500	5472...	-	URX000360	URX000563	515	0.05

Note: 5% input reactor not recommended for these drive sizes.

Table 2: 600 Volt, 3% AC Output Reactors

HP	Catalog Code GA80U...		3% Output Reactor			
	Normal Duty	Heavy Duty	Open Type Part Number	Enclosed Type 1 Part Number	Rated Amps	Inductance (mH)
250	-	5289...	URX000176	05P00620-0083	250	0.09
300	5289...	5382...	URX000179	05P00620-0088	320	0.075
350	5382...	5382...	URX000182	05P00620-0092	400	0.06
400	5382...	5412...	URX000182	05P00620-0092	400	0.06
450	5412...	5472...	05P00620-0094	05P00620-0096	500	0.05
500	5472...	-	05P00620-0094	05P00620-0096	500	0.05

Table 3: 600 Volt, 5% AC Output Reactors

HP	Catalog Code GA80U...		5% Output Reactor			
	Normal Duty	Heavy Duty	Open Type Part Number	Enclosed Type 1 Part Number	Rated Amps	Inductance (mH)
250	-	5289...	URX000177	05P00620-0084	250	0.15
300	5289...	5382...	URX000180	05P00620-0089	320	0.125
350	5382...	5382...	URX000183	05P00620-0093	400	0.105
400	5382...	5412...	URX000183	05P00620-0093	400	0.105
450	5412...	5472...	URX000089	URX000500	500	0.085
500	5472...	-	URX000089	URX000500	500	0.085

Title: GA800 – 600 V Input / Output AC Reactor Selection

Product(s): GA800

Doc. No. PN.GA800.02

AC Open Reactor Dimensions

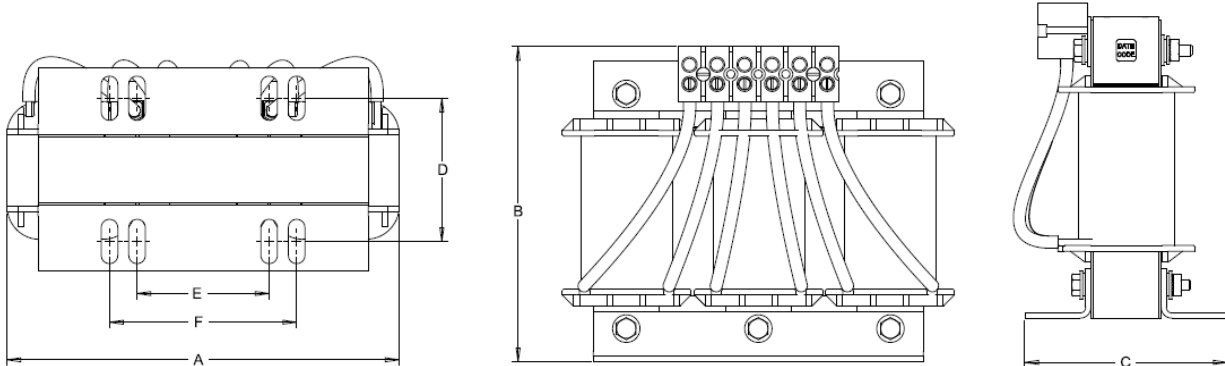


Table 4: AC Input/Output Open Reactor Specifications

Reactor Part Number	Watt Loss	Dimensions						Wgt. Kg/Lbs.
		A	B	C	D	E	F	
		mm/in.	mm/in.	mm/in.	mm/in.	mm/in.	mm/in.	
05P00620-0094	694	363.2/14.3	281.9/11.1	269.2/10.6	172/6.8	117/4.6	182.9/7.2	72.6/160
URX000089	985	363.2/14.3	281.9/11.1	330.2/13	248/9.8	117/4.6	182.9/7.2	95.3/210
URX000176	231	274.3/10.8	215.9/8.5	193/7.6	131/5.2	117/4.6	141.7/5.6	36.3/80
URX000177	588	363.2/14.3	284.5/11.2	221/8.7	148/5.8	117/4.6	182.88/7.2	56.7/125
URX000179	264	274.3/10.8	213.4/8.4	226.1/8.9	149/5.9	117/4.6	141.7/5.6	46.3/102
URX000180	642	363.2/14.3	281.9/11.1	238.8/9.4	181/7.1	117/4.6	182.9/7.2	72.6/160
URX000182	571	363.2/14.3	281.9/11.1	238.8/9.4	172/6.8	117/4.6	182.9/7.2	53.5/118
URX000183	293	363.2/14.3	281.9/11.1	276.9/10.9	184/7.3	117/4.6	182.9/7.2	67.6/149
URX000351	284	243.8/9.6	182.9/7.2	200.7/7.9	119.4/4.7	76.2/3	109.2/4.3	24.9/55
URX000355	383	274.3/10.8	213.4/8.4	221/8.7	137.2/5.4	91.4/3.6	142.2/5.6	34.5/76
URX000357	531	274.3/10.8	215.9/8.5	264.2/10.4	175.3/6.9	91.4/3.6	142.2/5.6	44.5/98
URX000360	496	274.3/10.8	215.9/8.5	307.3/12.1	162.6/6.4	91.4/3.6	142.2/5.6	53.5/118

Title: GA800 – 600 V Input / Output AC Reactor Selection

Product(s): GA800

Doc. No. PN.GA800.02

AC Enclosed Reactor Dimensions

Figure 11: CAB-17V

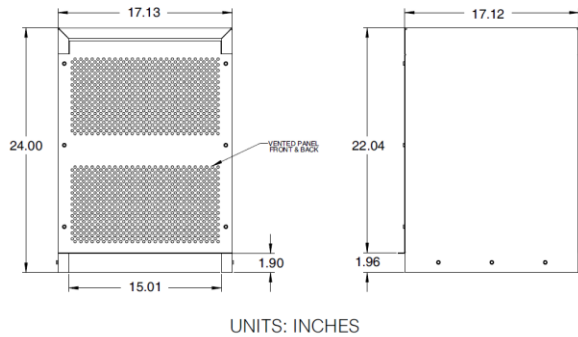


Figure 12: CAB-26C

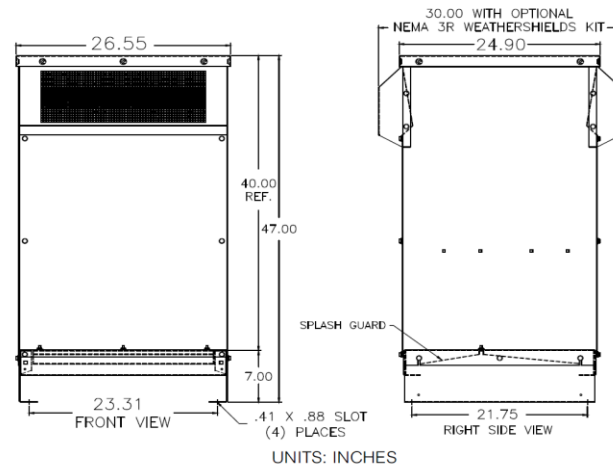


Table 5: AC Input/Output Enclosed Reactor Specifications

Enclosed Reactor Part Number	Reactor Rating (Amps)	Inductance (mH)	Heat Loss (Watts)	Enclosure Cabinet	Weight kg/lbs.
05P00620-0083	250	0.09mh	231	CAB-17V	36.3/80
05P00620-0084	250	0.15mh	588	CAB-17V	56.7/125
05P00620-0088	320	0.075mh	264	CAB-17V	46.3/102
05P00620-0089	320	0.125mh	642	CAB-17V	72.6/160
05P00620-0092	400	0.06mh	571	CAB-17V	53.5/118
05P00620-0093	400	0.105mh	293	CAB-17V	67.6/149
05P00620-0096	500	0.05mh	694	CAB-26C	72.6/160
URX000500	500	0.085mh	985	CAB-26C	95.3/210
URX000560	250	0.095mH	284	CAB-17V	24.9/55
URX000561	322	0.07mH	383	CAB-26C2	34.5/76
URX000562	414	0.066mH	531	CAB-26C2	44.5/98
URX000563	515	0.05mH	496	CAB-26C2	53.5/118